

SET-UP SHEET

XRAY XB8'16

RACE: **Grass Roots Series - Ro**
 TRACK: **Thunder Alley Rc Racew**
 NAME: **TyTessmann**
 CITY / COUNTRY: **Beaumont, CA USA**
 CONTACT:
 DATE: **14/01/2017**

TEMPERATURE AIR: **7C - 45f** TEMPERATURE TRACK:
 LAPS:
 FINAL POSITION: **1st** BEST LAPTIME:
 RACE LENGTH: **20** /min

TRACKS
 SIZE: OPEN MEDIUM TIGHT
 TRACTION: LOW MEDIUM HIGH
 SURFACE: SMOOTH MEDIUM BUMPY
 TYPE: HARD PACKED SOFT DIRT CLAY
 BLUE GROVE ASTRO TURF GRASS
 CONDITION: DRY DUSTY WET MUD

DIFFERENTIAL
 FRONT CENTER REAR
 TYPE: **Hudy** **Hudy** **Hudy**
 OIL: **5000** **5000** **2000**

GEARING
 CLUTCH BELL: **13** /π **46** /π SPUR GEAR
 PINION: **stk** /π **stk** /π CROWN GEAR
 SHOE: **3 alum** **1.1 & 2x** SPRING

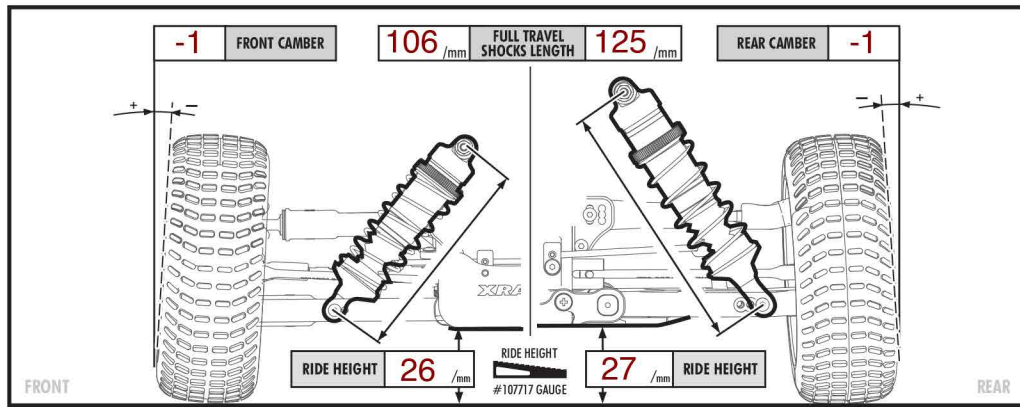
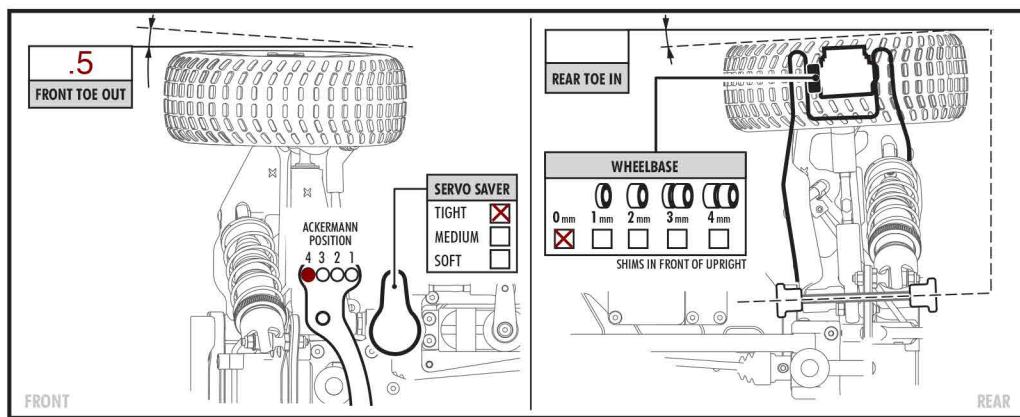
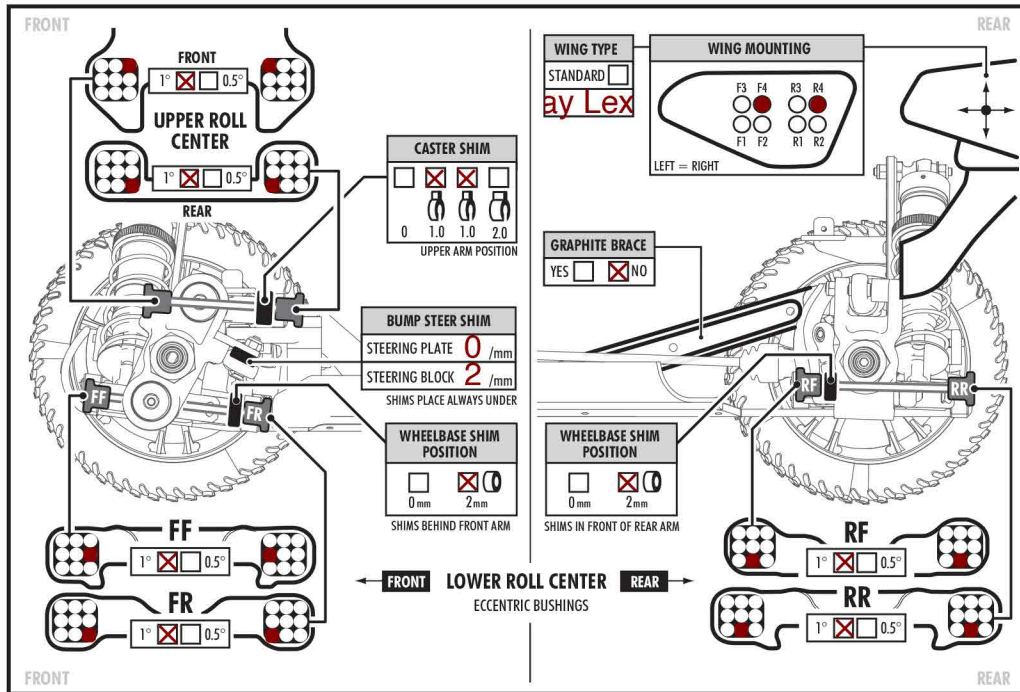
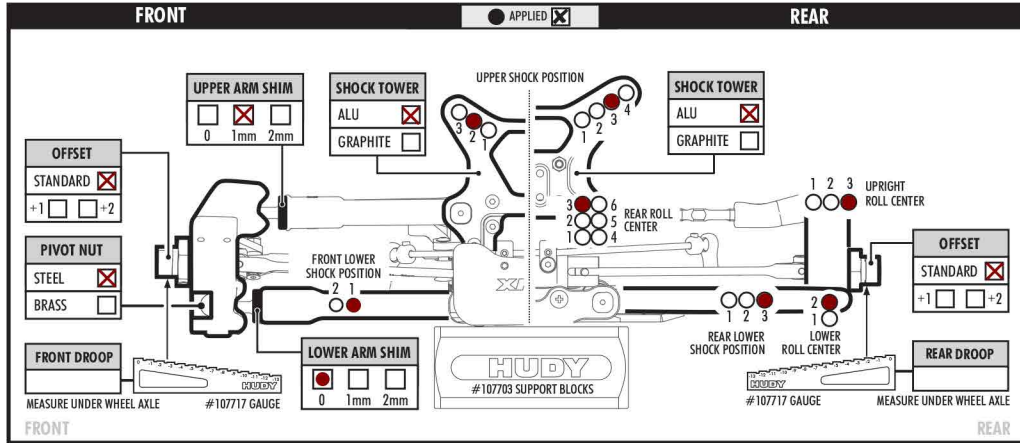
SHOCKS
 FRONT: **4 dot** LINEAR SPRINGS REAR: **3 dot**
300 /cst OIL **200** /cst
0 % REBOUND **0** %
 6 HOLES 1.1 mm 6 HOLES
 8 HOLES 1.2 mm 8 HOLES
 10 HOLES 1.3 mm 10 HOLES
 OTHER PISTONS 1.4 mm

ANTI ROLL BAR
 FRONT: **2.2** /mm THICKNESS REAR: **2.4** /mm

TIRES
 FRONT: **PL Holeshc** TYPE REAR: **PL Holeshc**
PL INSERTS **PL**
PL WHEELS **PL**

ENGINE
 TYPE: **OS 2102**
 MUFFLER: **OS 2090**
 MANIFOLD:
 PLUG: **OS P3**
 FUEL: **VP 25% Tessmann**

BODY
 TYPE: **Xray**



COMMENTS
Used the XB8'17 car with the inline steering blocks